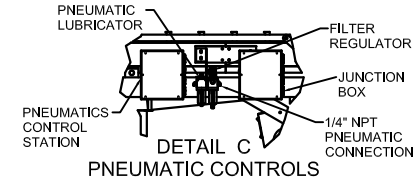
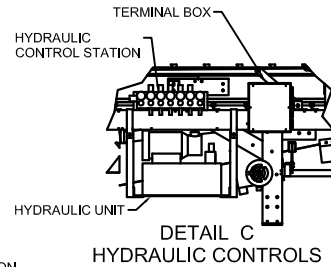
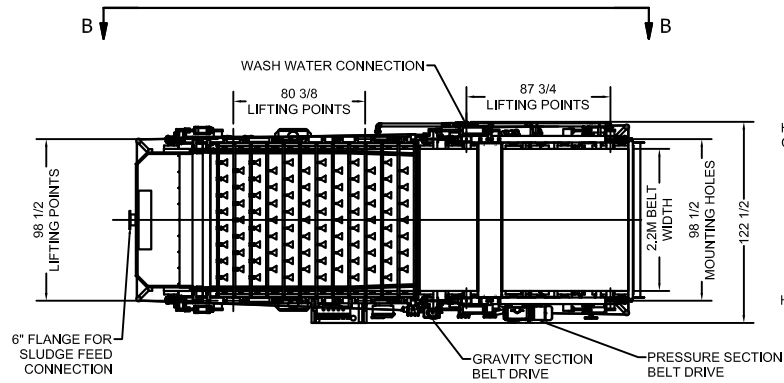
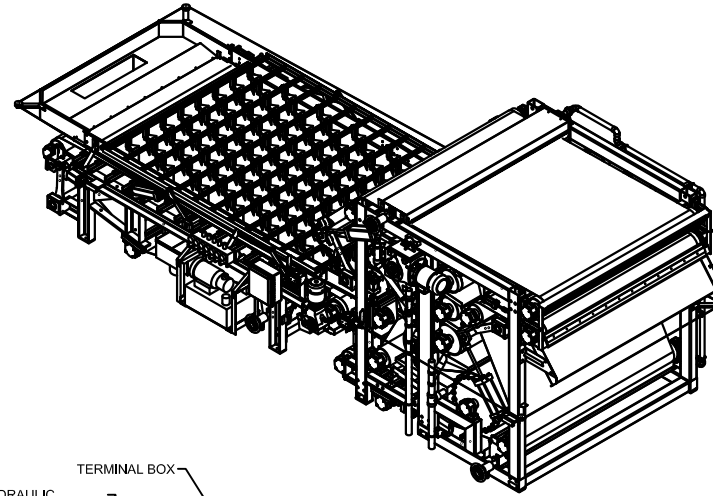


VIEW B-B



NOTES:

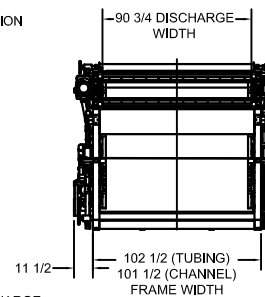
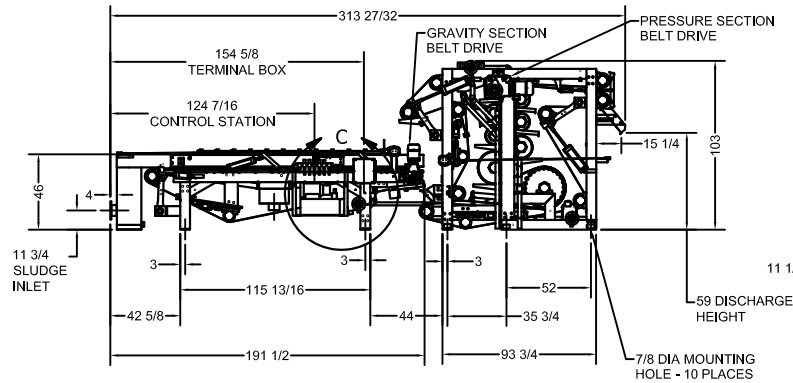
DETAIL C WILL VARY DEPENDING ON IF SYSTEM UTILIZES PNEUMATICS OR HYDRAULICS

LIFTING POINTS ARE MIN. 1 1/4" DIA FOR ALL LOCATIONS

LOCATION OF PLANT WATER CONNECTION FOR BELT WASH SYSTEM VARIES ACC. TO LOCATION OF WASH WATER BOOSTER PUMP AND USE OF OPTIONAL WASH WATER RECYCLE.

GBT SECTION DRY WEIGHT = 5,900 LBS
GBT SECTION WET WEIGHT = 7,350 LBS

PRESSURE SECTION DRY WEIGHT = 14,350 LBS
PRESSURE SECTION WET WEIGHT = 15,900 LBS



DRAWN	
TMP	
APPROVED	
G.E.C. TOLERANCES UNLESS OTHERWISE SPECIFIED	
FRACTIONAL DIM	±1/64
DECIMAL DIM	±0.05
ANGLE	± 1/2
SURFACE FINISH	125

CHARTER MACHINE COMPANY		
55 WESTER AVE METUCHEN N.J. 08840		
TITLE THREE BELT TOWER PRESS TP22.93S & FLOCC TANK MACHINE VIEWS		
SIZE	DWG. NO. TP22.93S-02	REV 6
SCALE	NONE	SHEET 1 OF 1

WEBSITE DOWNLOADS ARE FOR REFERENCE ONLY. CONTACT SALES FOR FURTHER INFO.

PROPRIETARY: EXCEPT AS OTHERWISE AGREED IN WRITING, THE INFORMATION AND DESIGN DISCLOSED HEREIN ARE THE PROPERTY OF THE CHARTER MACHINE COMPANY AND MUST NOT BE COPIED OR DISTRIBUTED OUTSIDE THE CHARTER MACHINE COMPANY EXCEPT TO AUTHORIZED PERSONS WITH A GENUINE NEED TO KNOW WHO BY THE USE HEREOF ACKNOWLEDGE CHARTER MACHINE COMPANY OWNERSHIP AND AGREE TO MAINTAIN THIS INFORMATION AND DESIGN IN STRICT CONFIDENCE.