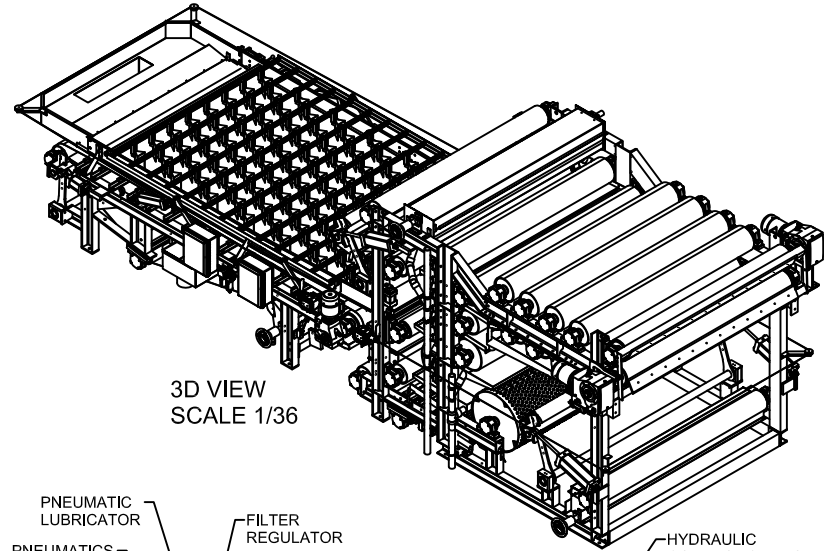
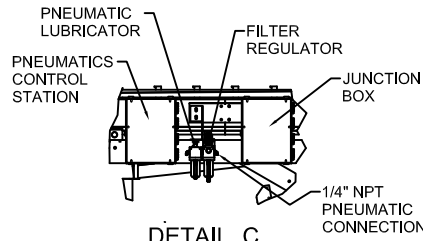
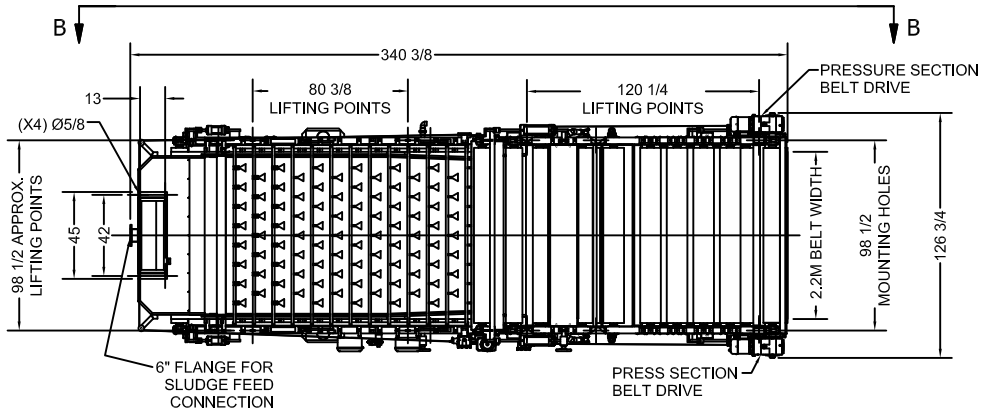


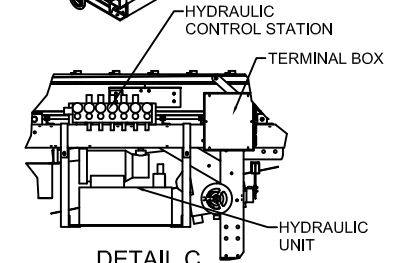
VIEW B-B  
SCALE 1/48



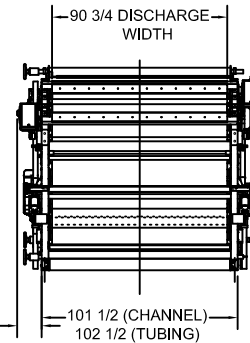
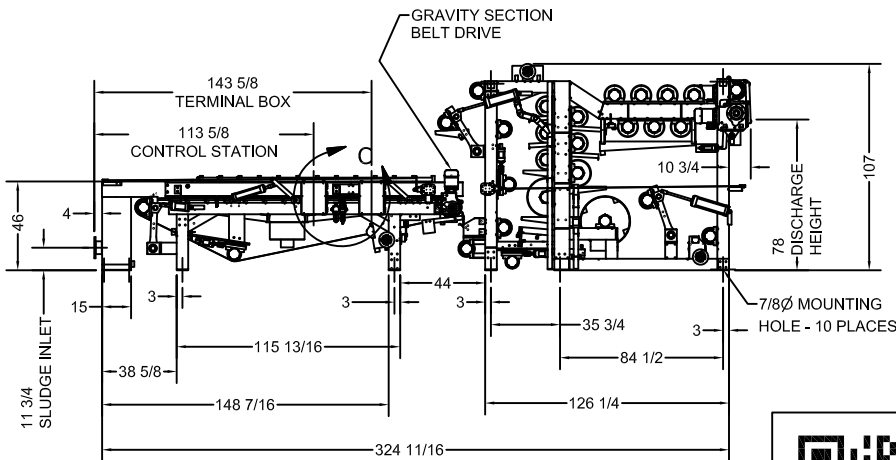
3D VIEW  
SCALE 1/36



DETAIL C  
PNEUMATIC CONTROLS  
SCALE 1/24



DETAIL C  
HYDRAULIC CONTROLS  
SCALE 1/24



NOTES:

DETAIL C WILL VARY DEPENDING ON IF SYSTEM UTILIZES PNEUMATICS OR HYDRAULICS

LOCATION OF PLANT WATER CONNECTION FOR BELT WASH SYSTEM VARIES ACC. TO LOCATION OF WASH WATER BOOSTER PUMP AND USE OF OPTIONAL WASH WATER RECYCLE.

LIFTING POINTS ARE MIN. 1 1/4" DIA FOR ALL LOCATIONS

GBT SECTION DRY WEIGHT = 6,500 LBS  
GBT SECTION WET WEIGHT = 7,750 LBS



PRESSURE SECTION DRY WEIGHT = 19,580 LBS  
PRESSURE SECTION WET WEIGHT = 21,080 LBS



WEBSITE DOWNLOADS ARE FOR REFERENCE ONLY. CONTACT SALES FOR FURTHER INFO.



DRAWN TMP	
APPROVED	
G.E.C. TOLERANCES UNLESS OTHERWISE SPECIFIED	
FRACTIONAL DIM	±1/64
DECIMAL DIM	±.005
ANGLE	± 1/2
SURFACE FINISH	125

CHARTER MACHINE COMPANY 55 WESTER AVE METUCHEN N.J. 08840		
TITLE THREE BELT TOWER PRESS 22.593S		
MACHINE VIEWS		
SIZE	DWG NO. TP22.593S-02	REV 8
SCALE NONE	SHEET 1 OF 1	

PROPRIETARY: EXCEPT AS OTHERWISE AGREED IN WRITING, THE INFORMATION AND DESIGN DISCLOSED HEREIN ARE THE PROPERTY OF THE CHARTER MACHINE COMPANY AND MUST NOT BE COPIED OR DISTRIBUTED OUTSIDE THE CHARTER MACHINE COMPANY EXCEPT TO AUTHORIZED PERSONS WITH A GENUINE NEED TO KNOW WHO BY THE USE HEREOF ACKNOWLEDGE CHARTER MACHINE COMPANY OWNERSHIP AND AGREE TO MAINTAIN THIS INFORMATION AND DESIGN IN STRICT CONFIDENCE.