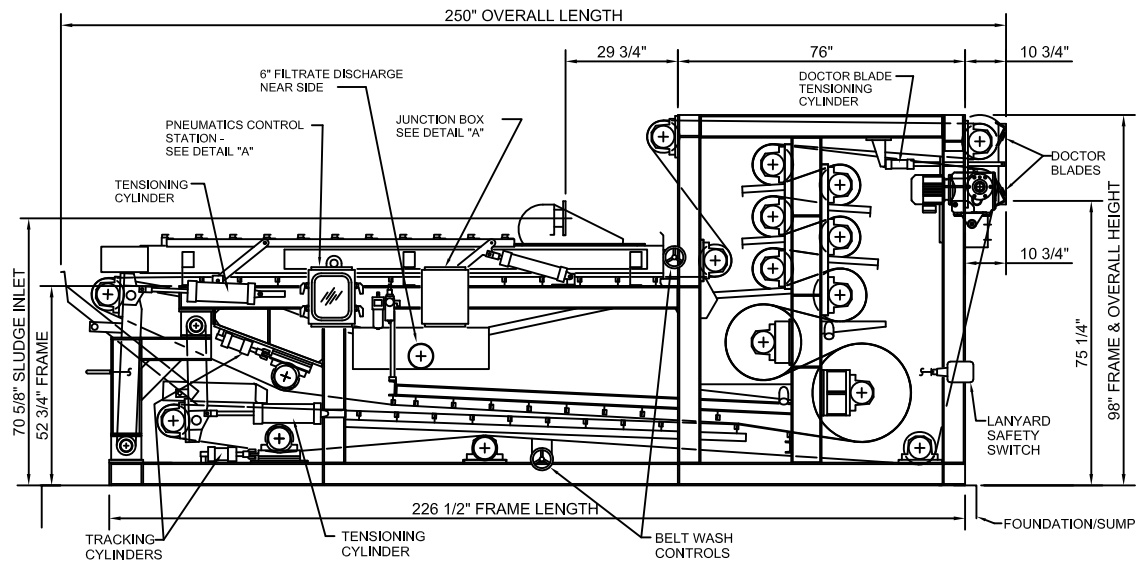


DETAIL "A"



NOTES:

LOCATION OF PLANT WATER CONNECTION FOR BELT WASH SYSTEM VARIES ACCORDING TO LOCATION OF WASH WATER BOOSTER PUMP AND USE OF OPTIONAL WASH WATER RECYCLE.

DRY WEIGHT - 17,000 LBS
WET WEIGHT - 18,500 LBS

WEBSITE DOWNLOADS ARE FOR REFERENCE ONLY. CONTACT SALES FOR FURTHER INFO.



DRAWN	
TMP	
APPROVED	
G.E.C. TOLERANCES UNLESS OTHERWISE SPECIFIED	
FRACTIONAL DIM	±1/64
DECIMAL DIM	±.005
ANGLE	± 1/2
SURFACE FINISH	125

CHARTER MACHINE COMPANY		
55 WESTER AVE METUCHEN N.J. 08840		
TITLE TOWER PRESS TP12.43S		
MACHINE VIEWS		
SIZE	DWG. NO. TP12.43S-02	REV 1
SCALE	NONE	SHEET 1 OF 1