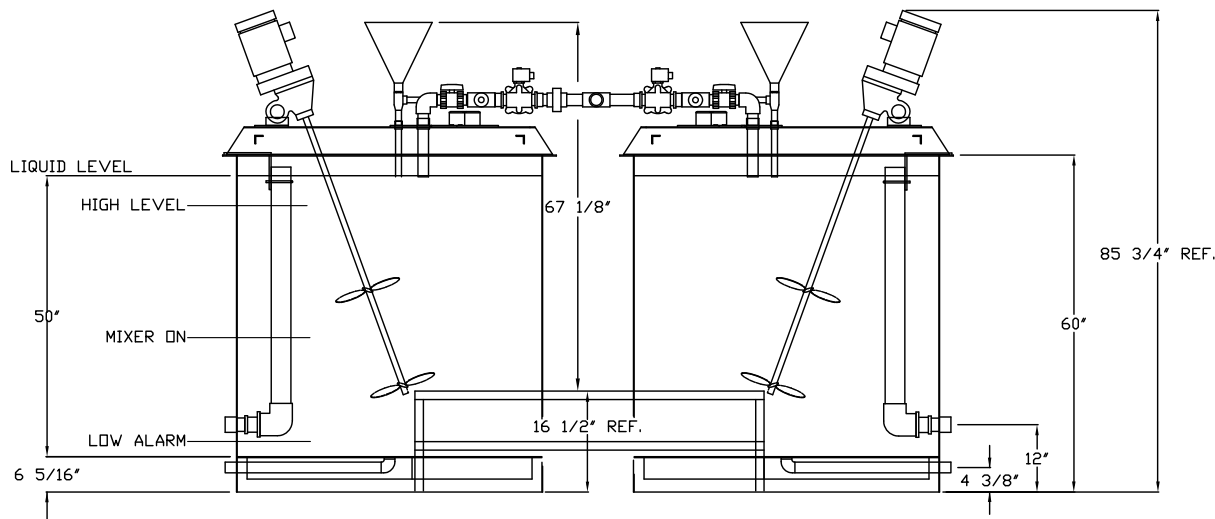


PLUMBING NOTES:

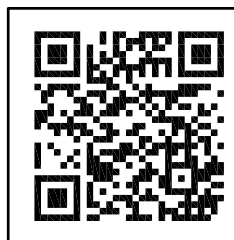
- ① WATER INLET (1 1/2" PVC SOCKET)
- ② OVER FLOW (2" FEMALE NPT)
- ③ TANK DRAIN (1 1/2" MALE NPT)



NOTE:

DIMENSIONS ARE APPROXIMATE
TANK DRAIN & OVERFLOW CAN BE POSITIONED AS REQ'D.

WEBSITE DOWNLOADS ARE FOR REFERENCE ONLY. CONTACT SALES FOR FURTHER INFO.



DRAWN	
TEMP	
APPROVED	
G.E.C. TOLERANCES UNLESS OTHERWISE SPECIFIED	
FRACTIONAL DIM	±1/64
DECIMAL DIM	±.005
ANGLE	± 1/2
SURFACE FINISH	125

CHARTER MACHINE COMPANY		
55 WESTER AVE METUCHEN N.J. 08840		
TITLE POLYMER SYSTEM ROEDDS 500 MACHINE VIEWS		
SIZE A	DWG NO. RD500-02	REV 0
SCALE NONE	SHEET 1 OF 1	