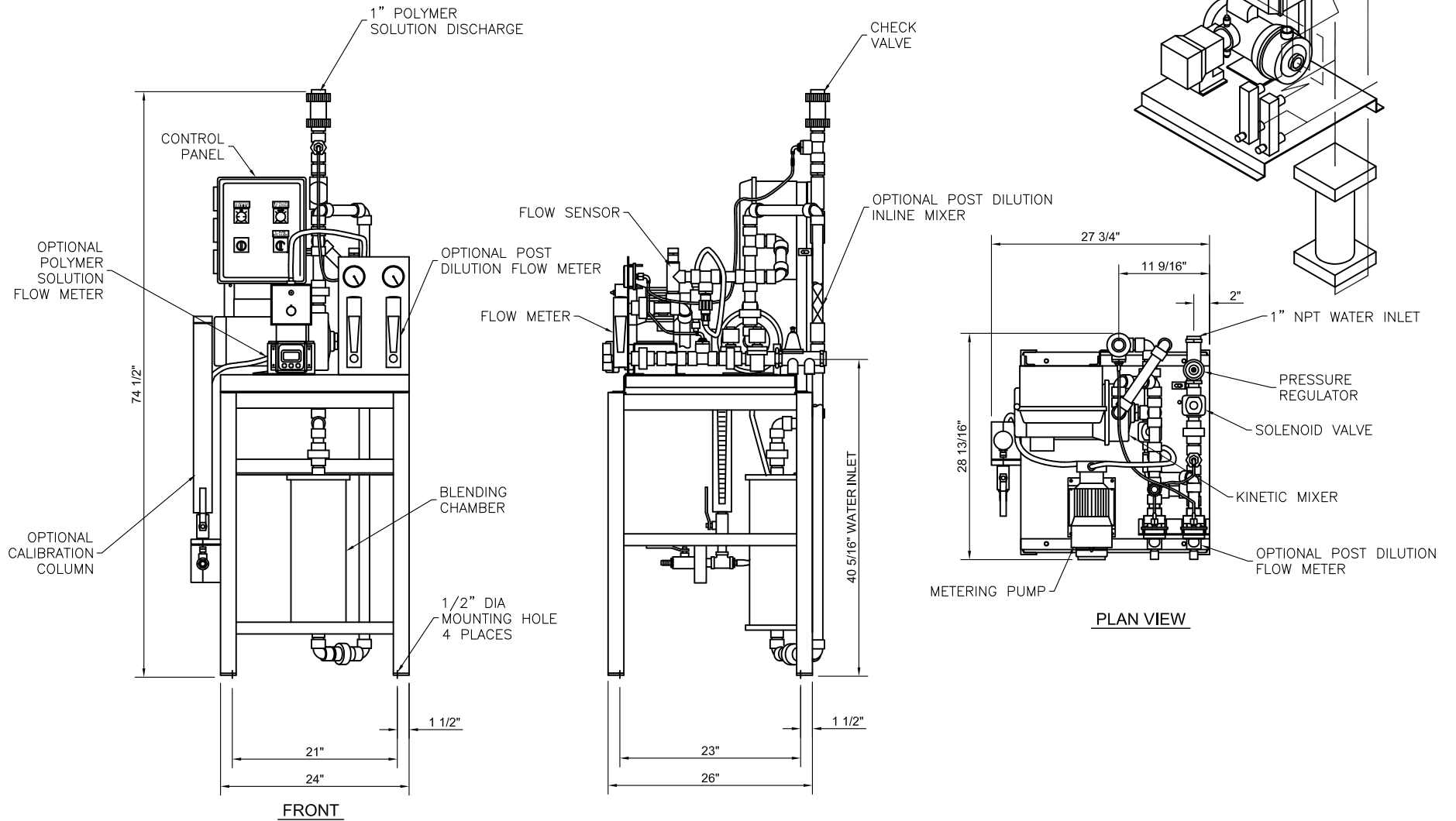


NOTES:  
 1. MINIMUM 20 GPM @ 30 PSI  
 WATER SUPPLY REQUIRED



WEBSITE DOWNLOADS ARE FOR REFERENCE ONLY. CONTACT SALES FOR FURTHER INFO.



DRAWN  
 TMP  
 APPROVED

G.E.C. TOLERANCES UNLESS  
 OTHERWISE SPECIFIED

FRACTIONAL DIM ±1/64  
 DECIMAL DIM ±.005  
 ANGLE ± 1/2  
 SURFACE FINISH 125

CHARTER MACHINE COMPANY 55 WESTER AVE METUCHEN N.J. 08840		
TITLE ROEDOS L-2.10		
MACHINE VIEWS		
SIZE A	DWG NO. L2.10-02	REV 6
SCALE NONE	SHEET 1 OF 1	

PROPRIETARY: EXCEPT AS OTHERWISE AGREED IN WRITING, THE INFORMATION AND DESIGN DISCLOSED HEREIN ARE THE PROPERTY OF THE CHARTER MACHINE COMPANY AND MUST NOT BE COPIED OR DISTRIBUTED OUTSIDE THE CHARTER MACHINE COMPANY EXCEPT TO AUTHORIZED PERSONS WITH A GENUINE NEED TO KNOW WHO BY THE USE HEREOF ACKNOWLEDGE CHARTER MACHINE COMPANY OWNERSHIP AND AGREE TO MAINTAIN THIS INFORMATION AND DESIGN IN STRICT CONFIDENCE.