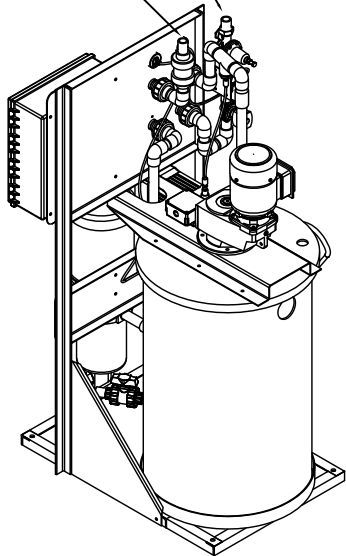
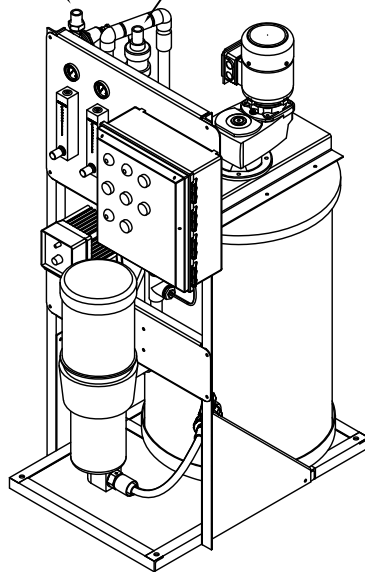


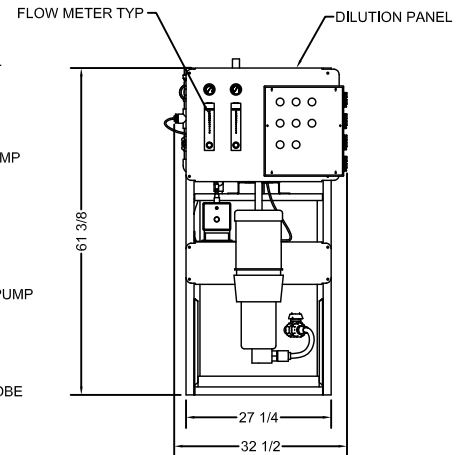
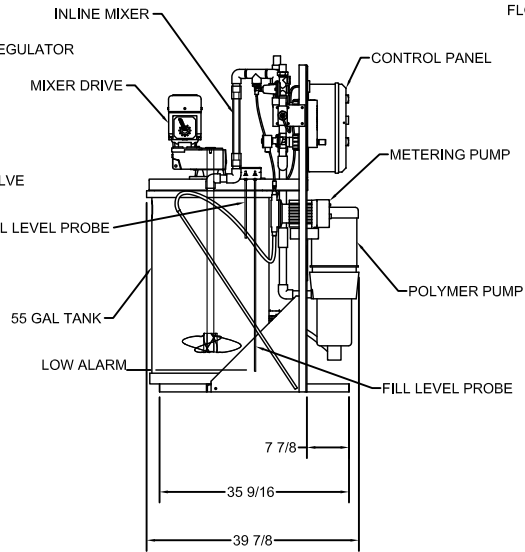
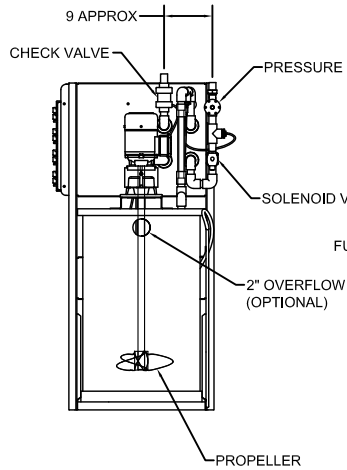
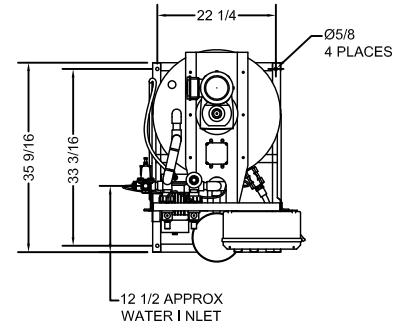
1" POLYMER SOLUTION OUT
1" WATER INLET



1" WATER INLET
1" POLYMER SOLUTION OUT



NOTE:
MINIMUM 20 GPM @ 30 PSI
WATER SUPPLY REQUIRED



DRAWN
TMP
APPROVED

G.E.C. TOLERANCES UNLESS
OTHERWISE SPECIFIED

FRACTIONAL DIM ±1/64
DECIMAL DIM ±.005
ANGLE ± 1/2
SURFACE FINISH 125

CHARTER MACHINE COMPANY 55 WESTER AVE METUCHEN N.J. 08840		
TITLE L1.1 POLYMER SYSTEM		
MACHINE VIEWS		
SIZE A	DWG NO. L1.1-02	REV 1
SCALE NONE	SHEET 1 OF 1	

WEBSITE DOWNLOADS ARE FOR REFERENCE ONLY. CONTACT SALES FOR FURTHER INFO.

PROPRIETARY: EXCEPT AS OTHERWISE AGREED IN WRITING, THE INFORMATION AND DESIGN DISCLOSED HEREIN ARE THE PROPERTY OF THE CHARTER MACHINE COMPANY AND MUST NOT BE COPIED OR DISTRIBUTED OUTSIDE THE CHARTER MACHINE COMPANY EXCEPT TO AUTHORIZED PERSONS WITH A GENUINE NEED TO KNOW WHO BY THE USE HEREOF ACKNOWLEDGE CHARTER MACHINE COMPANY OWNERSHIP AND AGREE TO MAINTAIN THIS INFORMATION AND DESIGN IN STRICT CONFIDENCE.