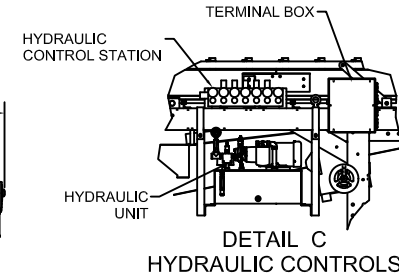
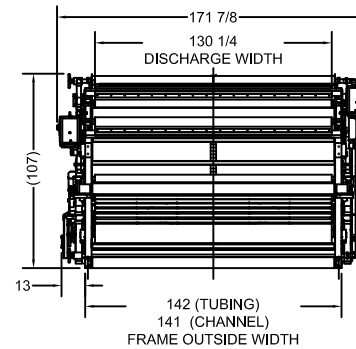
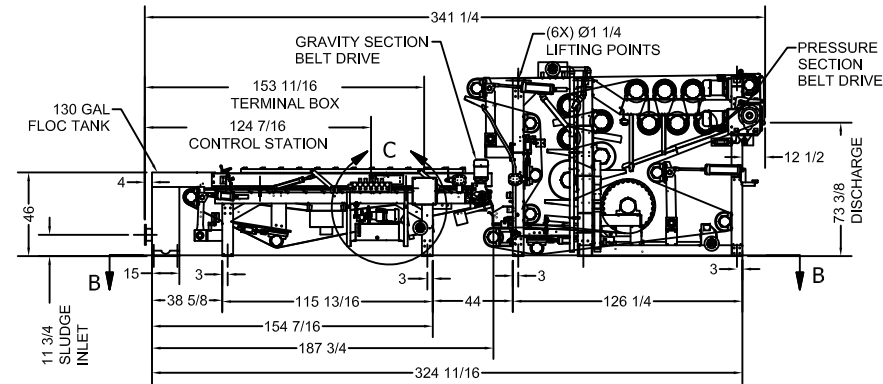
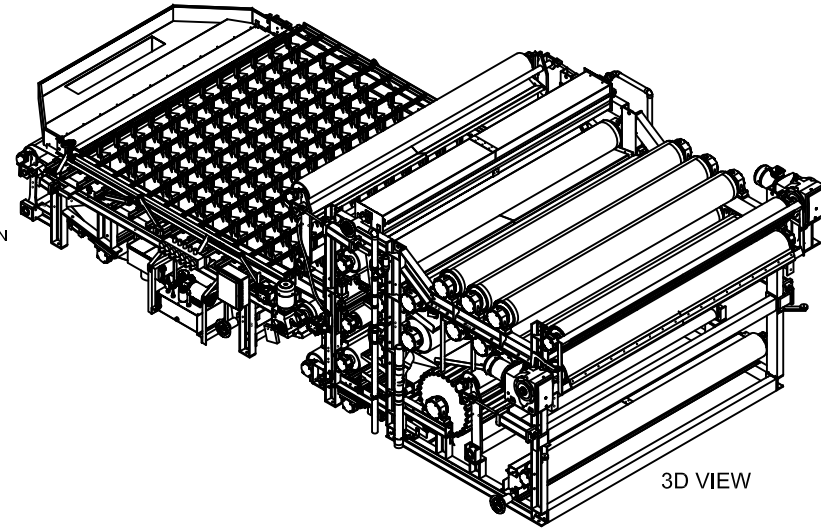
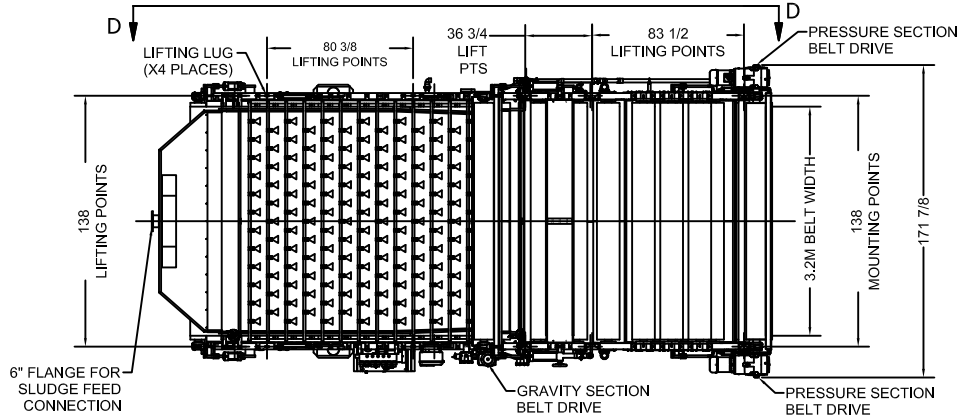
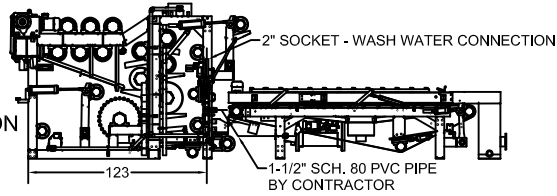


ROTATED VIEW D-D
WASH WATER
INLET LOCATION



NOTES:
LOCATION OF PLANT WATER CONNECTION FOR BELT WASH SYSTEM VARIES ACCORDING TO LOCATION OF WASH WATER BOOSTER PUMP AND USE OF OPTIONAL WASH WATER RECYCLE.

LIFTING POINTS ARE MIN. 1-1/4" DIA FOR ALL LOCATIONS
10 LIFTING POINTS TOTAL:
(X6) FOR TOWER SECTION, (X4) FOR GBT SECTION

GBT SECTION DRY WEIGHT = 8,200 LBS
GBT SECTION WET WEIGHT = 10,000 LBS

PRESSURE SECTION DRY WEIGHT = 33,450 LBS
PRESSURE SECTION WET WEIGHT = 36,650 LBS

SECTION B-B
MOUNTING FOOTPRINT

WEBSITE DOWNLOADS ARE FOR REFERENCE ONLY. CONTACT SALES FOR FURTHER INFO.



DRAWN	TMP
APPROVED	
G.E.C. TOLERANCES UNLESS OTHERWISE SPECIFIED	
FRACTIONAL DIM	±1/64
DECIMAL DIM	±.005
ANGLE	± 1/2
SURFACE FINISH	125

CHARTER MACHINE COMPANY		
55 WESTER AVE METUCHEN N.J. 08840		
TITLE THREE BELT TOWER PRESS 3BTP32.593.12SH-02 MACHINE VIEWS		
SIZE	DWG. NO. 3BTP32.593.12SH-02	REV 0
SCALE	NONE	SHEET 1 OF 1