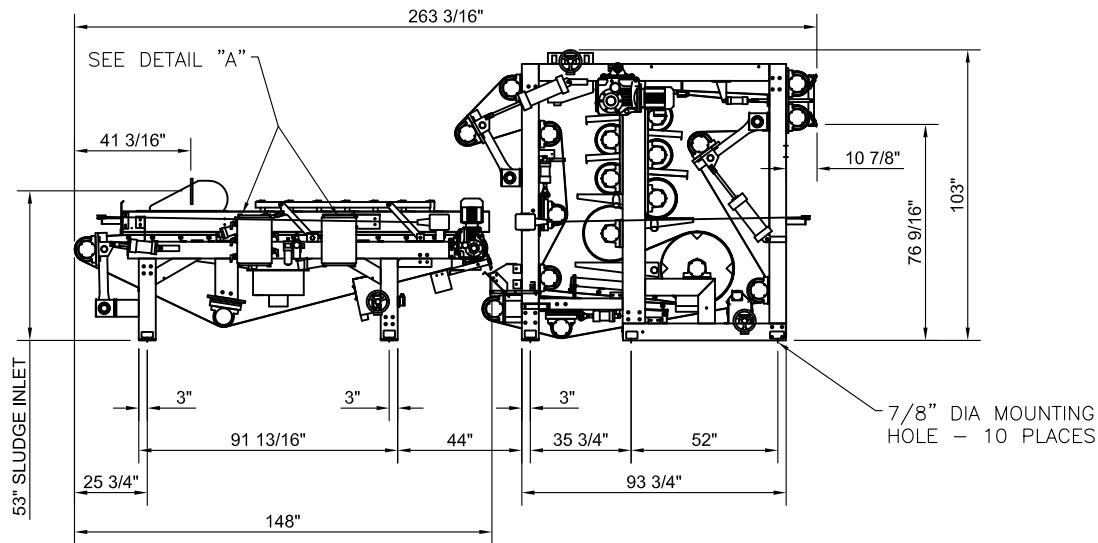


DETAIL "A"



NOTES:

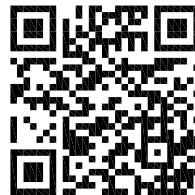
LOCATION OF PLANT WATER CONNECTION FOR BELT WASH SYSTEM VARIES ACCORDING TO LOCATION OF WASH WATER BOOSTER PUMP AND USE OF OPTIONAL WASH WATER RECYCLE.

LIFTING POINTS ARE MIN. 1/4" DIA FOR ALL LOCATIONS.

GBT SECTION DRY WEIGHT = 5,100 LBS.  
GBT SECTION WET WEIGHT = 6,250 LBS.

PRESSURE SECTION DRY WEIGHT = 12,500 LBS.  
PRESSURE SECTION WET WEIGHT = 13,750 LBS.

WEBSITE DOWNLOADS ARE FOR REFERENCE ONLY. CONTACT SALES FOR FURTHER INFO.



DRAWN	
TMP	
APPROVED	
G.E.C. TOLERANCES UNLESS OTHERWISE SPECIFIED	
FRACTIONAL DIM	±1/64
DECIMAL DIM	±.005
ANGLE	± 1/2
SURFACE FINISH	125

CHARTER MACHINE COMPANY		
55 WESTER AVE METUCHEN N.J. 08840		
TITLE THREE BELT TOWER PRESS TP17.92S		
MACHINE VIEWS		
SIZE	DWG NO.	REV
	TP17.92S-02	0
SCALE	SHEET 1 OF 1	
NONE		