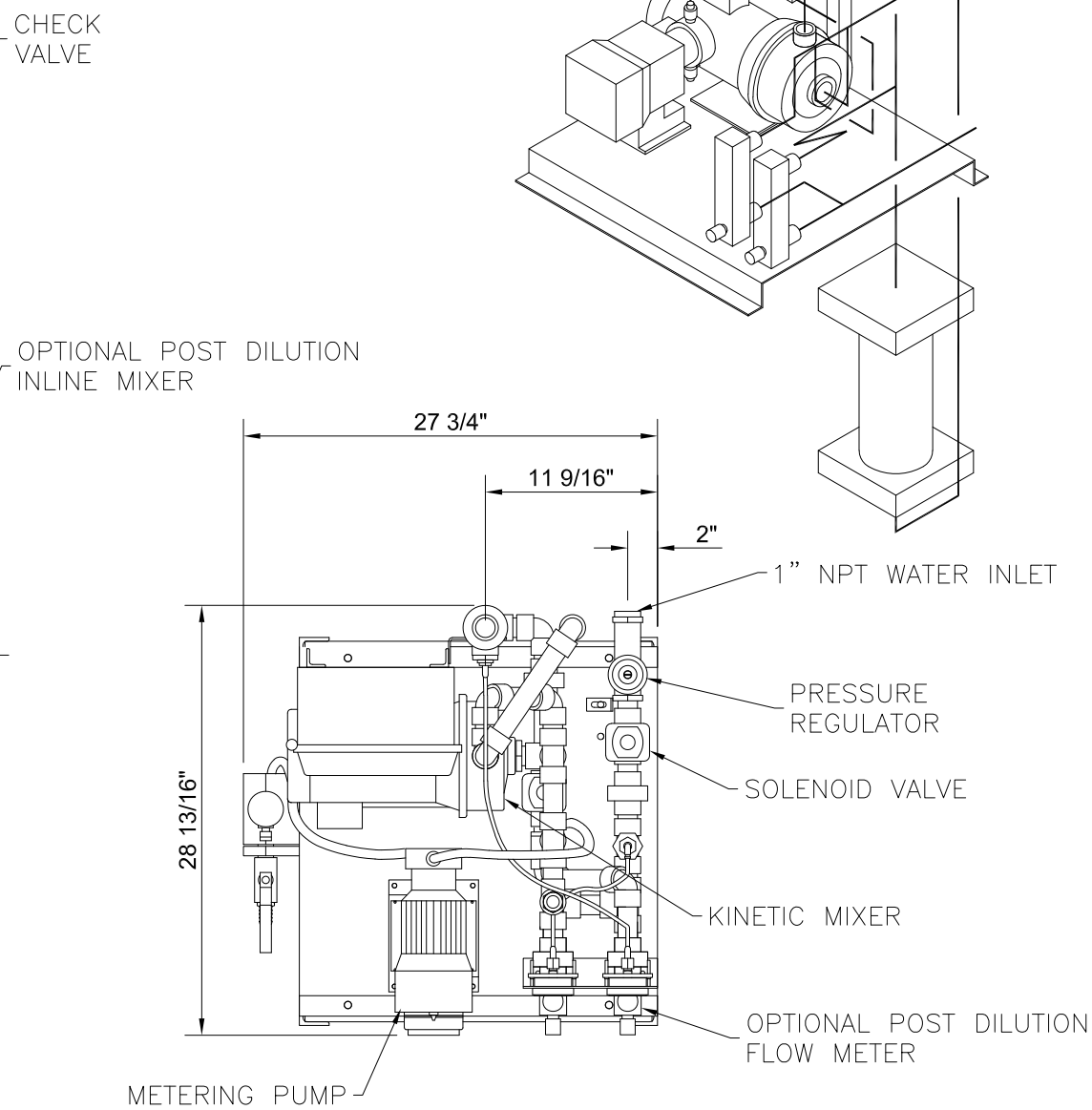
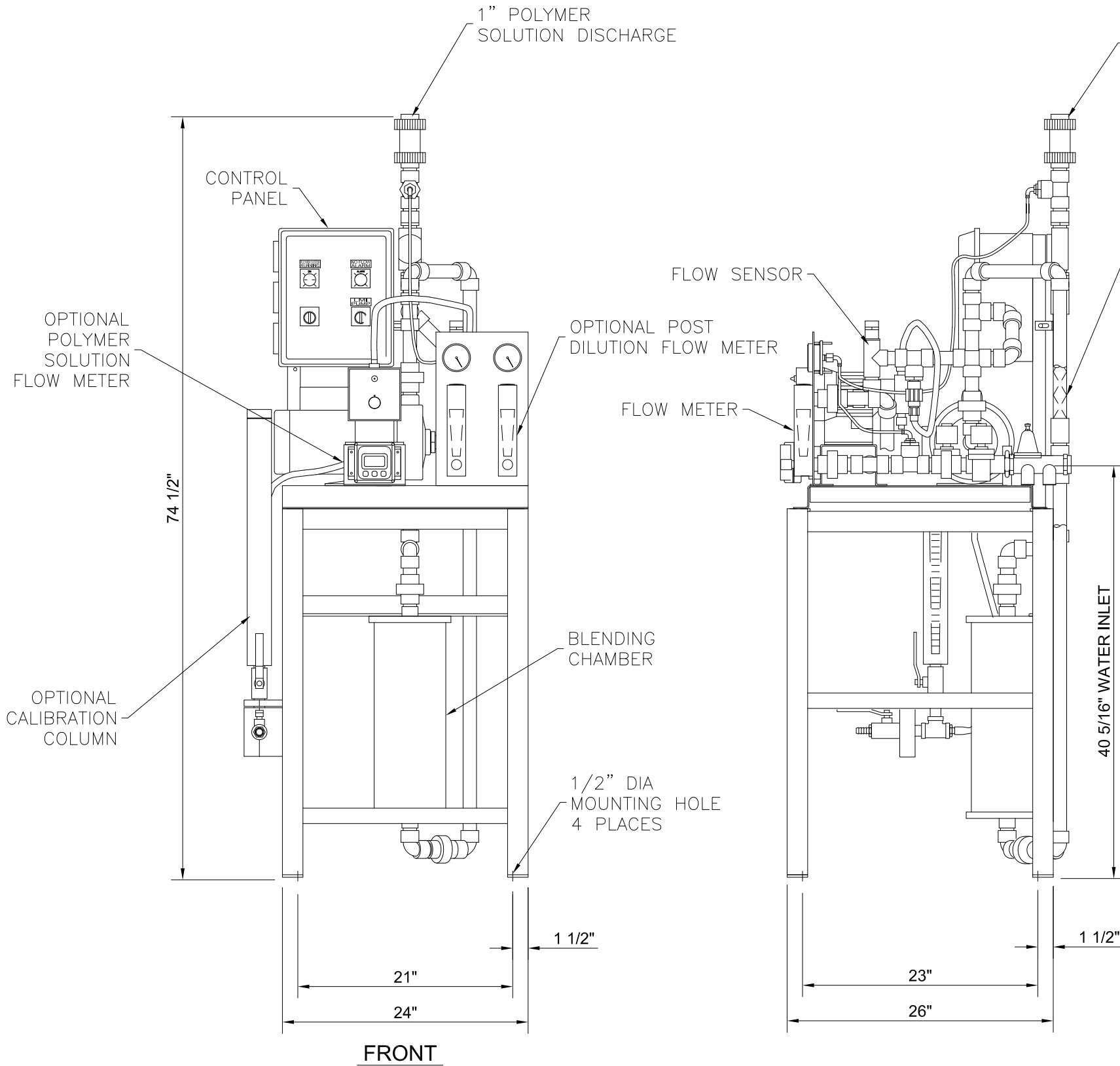


NOTES:
 1. MINIMUM 20 GPM @ 30 PSI
 WATER SUPPLY REQUIRED



PLAN VIEW

DRAWN TMP APPROVED	4/4/13	CHARTER MACHINE COMPANY 55 WESTER AVE METUCHEN N.J. 08840		
G.E.C. TOLERANCES UNLESS OTHERWISE SPECIFIED FRACTIONAL DIM ±1/64 DECIMAL DIM ±.005 ANGLE ± 1/2 SURFACE FINISH 125		TITLE ROEDOS L-2.10 MACHINE VIEWS		
SIZE B	DWG NO. L2.10-02	REV 6		
SCALE 1" = 1'-0"	SHEET 1	OF 1		