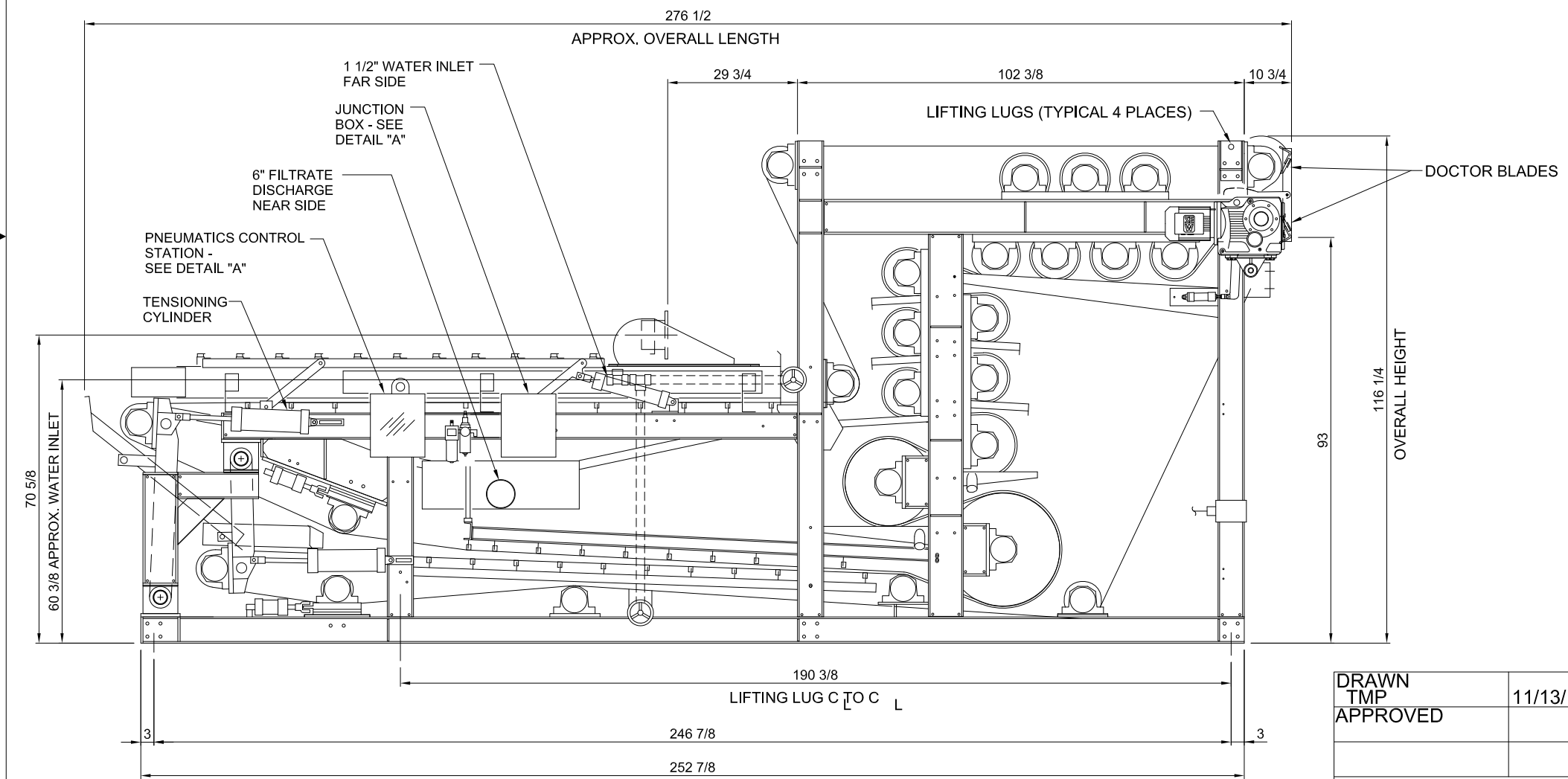


DETAIL "A"



- NOTES:
 1) ALL DIMENSIONS ARE IN INCHES.
 2) APPROXIMATE DRY WEIGHT 20,000 POUNDS

DRAWN TMP	11/13/12	CHARTER MACHINE COMPANY 55 WESTER AVE METUCHEN N.J. 08840	
APPROVED			
G.E.C. TOLERANCES UNLESS OTHERWISE SPECIFIED		TITLE TOWER PRESS 12.53S MACHINE VIEWS	
FRACTIONAL DIM ±1/64		SIZE B	REV 2
DECIMAL DIM ±.005		DWG NO. TP12.53S-02	
ANGLE ± 1/2		SCALE 3/8" = 1'-0"	SHEET 1 OF 1
SURFACE FINISH 125			