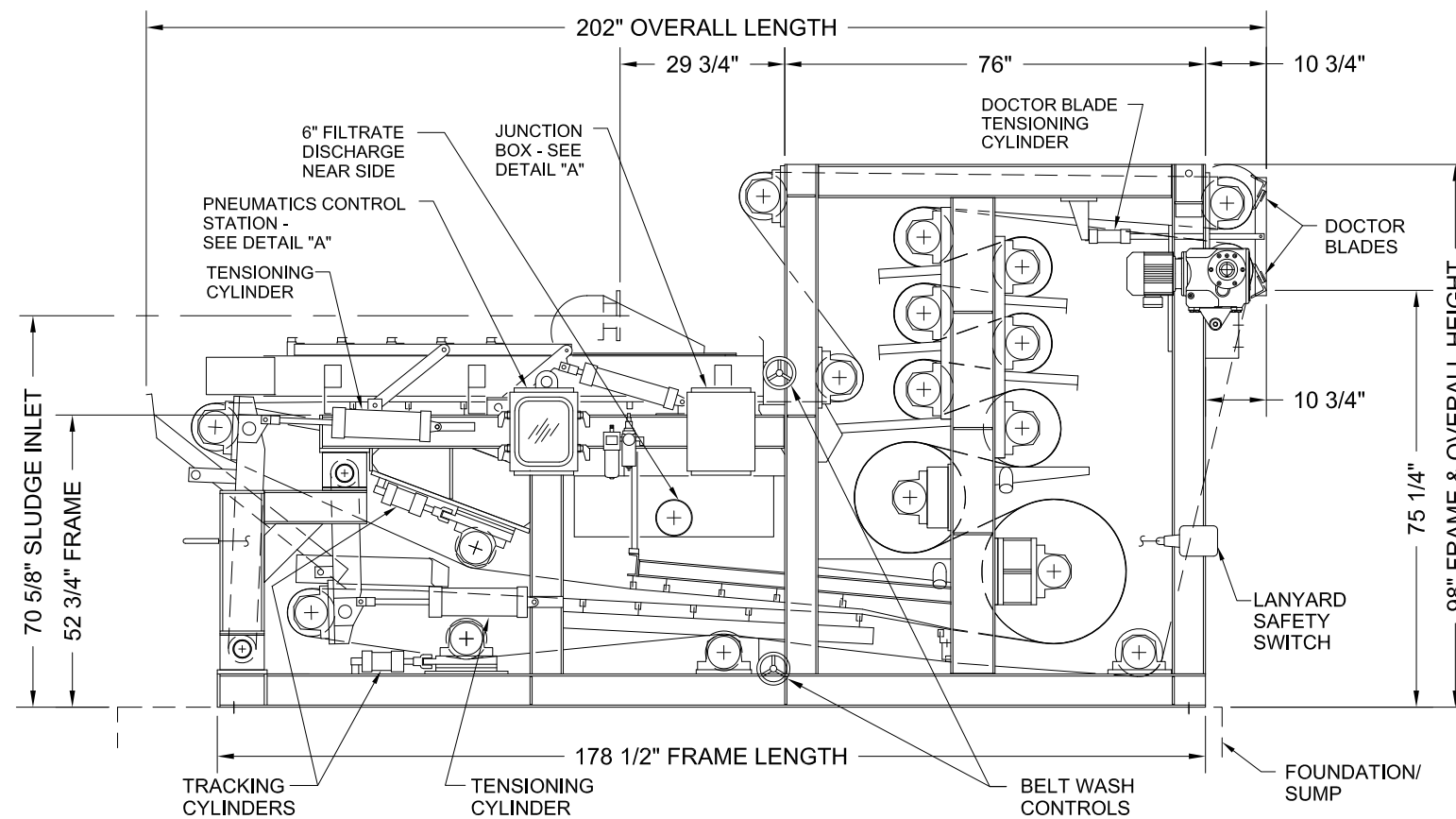


DETAIL "A"



NOTES:

LOCATION OF PLANT WATER CONNECTION FOR BELT WASH SYSTEM VARIES ACCORDING TO LOCATION OF WASH WATER BOOSTER PUMP AND USE OF OPTIONAL WASH WATER RECYCLE.

DRY WEIGHT - 16,300 LBS

WET WEIGHT - 17,800 LBS

DRAWN TMP	11/12/12	CHARTER MACHINE COMPANY 55 WESTER AVE METUCHEN N.J. 08840	
APPROVED			
G.E.C. TOLERANCES UNLESS OTHERWISE SPECIFIED		TITLE TOWER PRESS 12.41S MACHINE VIEWS	
FRACTIONAL DIM ±1/64		SIZE	DWG NO.
DECIMAL DIM ±.005		B	TP12.41S-02
ANGLE ± 1/2		SCALE	REV
SURFACE FINISH 125		3/8" = 1'-0"	2
		SHEET 1	OF 1