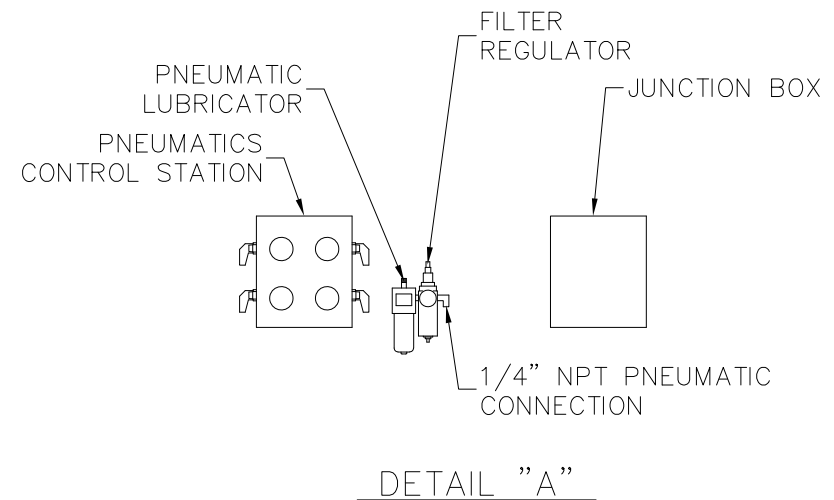
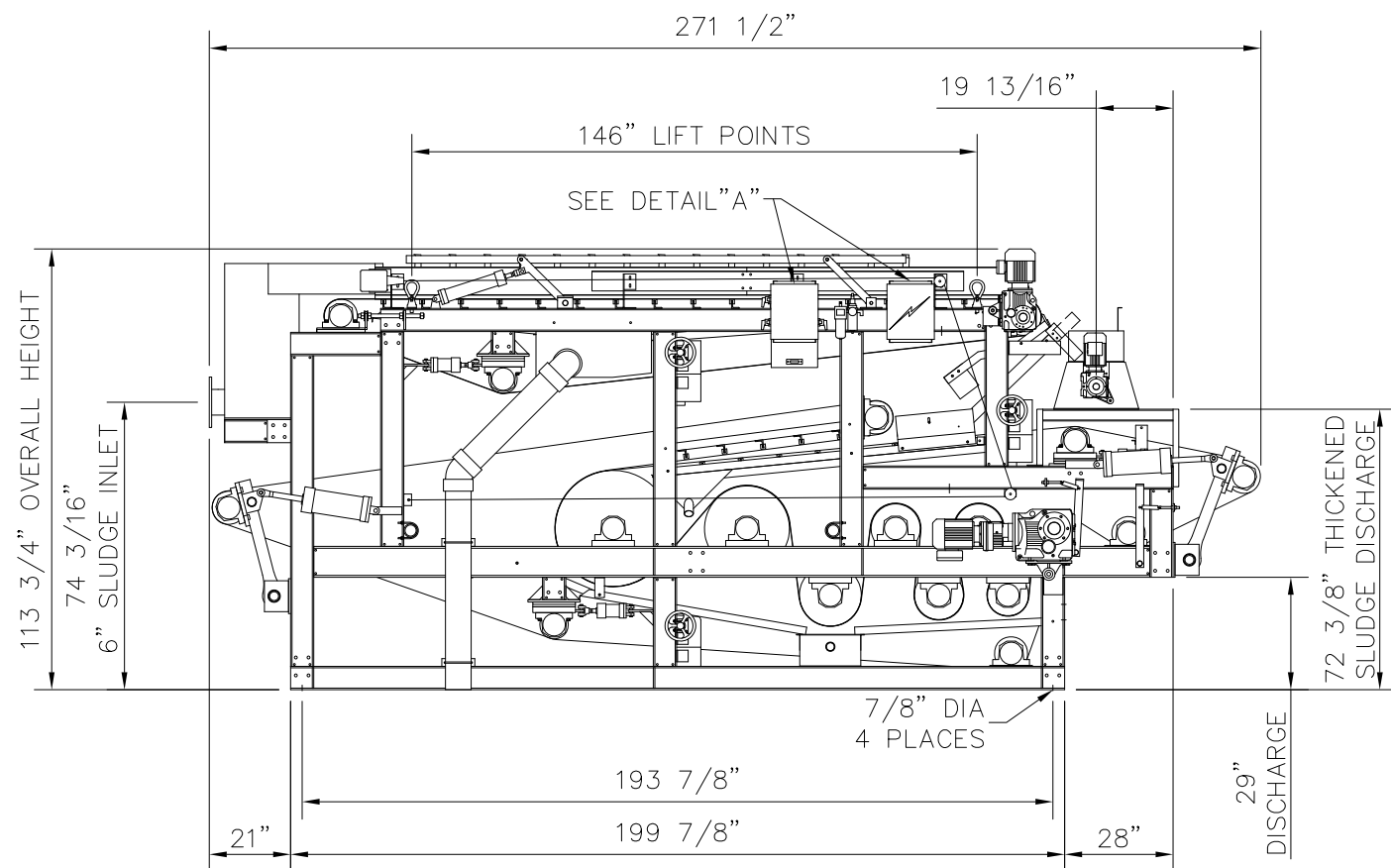


NOTES:
 STATIC (DRY) WEIGHT = 24,300 LBS.
 DYNAMIC (WET) WEIGHT = 26,300 LBS.



DRAWN TMP	11/14/12	CHARTER MACHINE COMPANY	
APPROVED		55 WESTER AVE METUCHEN N.J. 08840	
G.E.C. TOLERANCES UNLESS OTHERWISE SPECIFIED		TITLE BP 22.83 WITH THICKENED SLUDGE CONVEYOR MACHINE VIEWS	
FRACTIONAL DIM ±1/64		SIZE B	REV 2
DECIMAL DIM ±.005		DWG NO. BP22.83-02B	
ANGLE ± 1/2		SCALE 1/4" = 1'-0"	SHEET 1 OF 1
SURFACE FINISH 125			