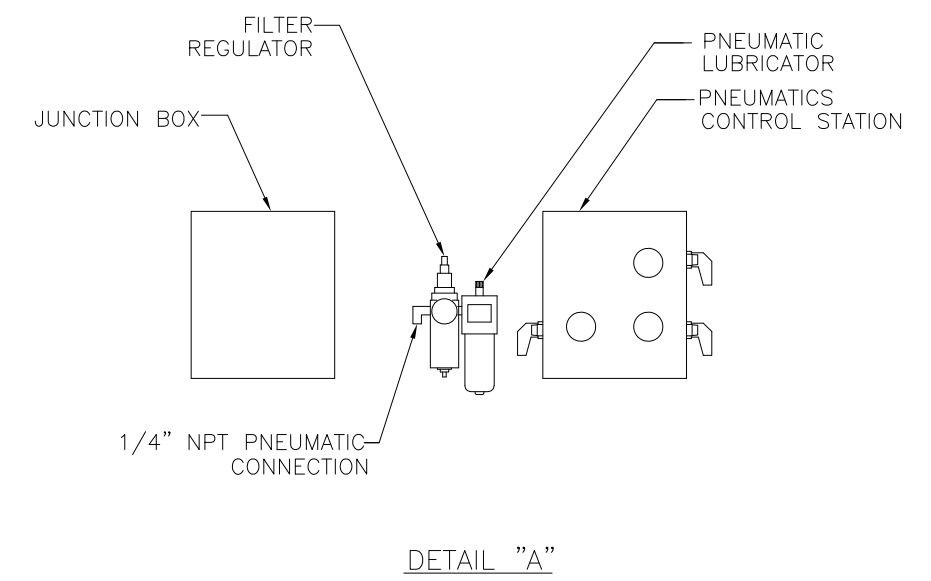
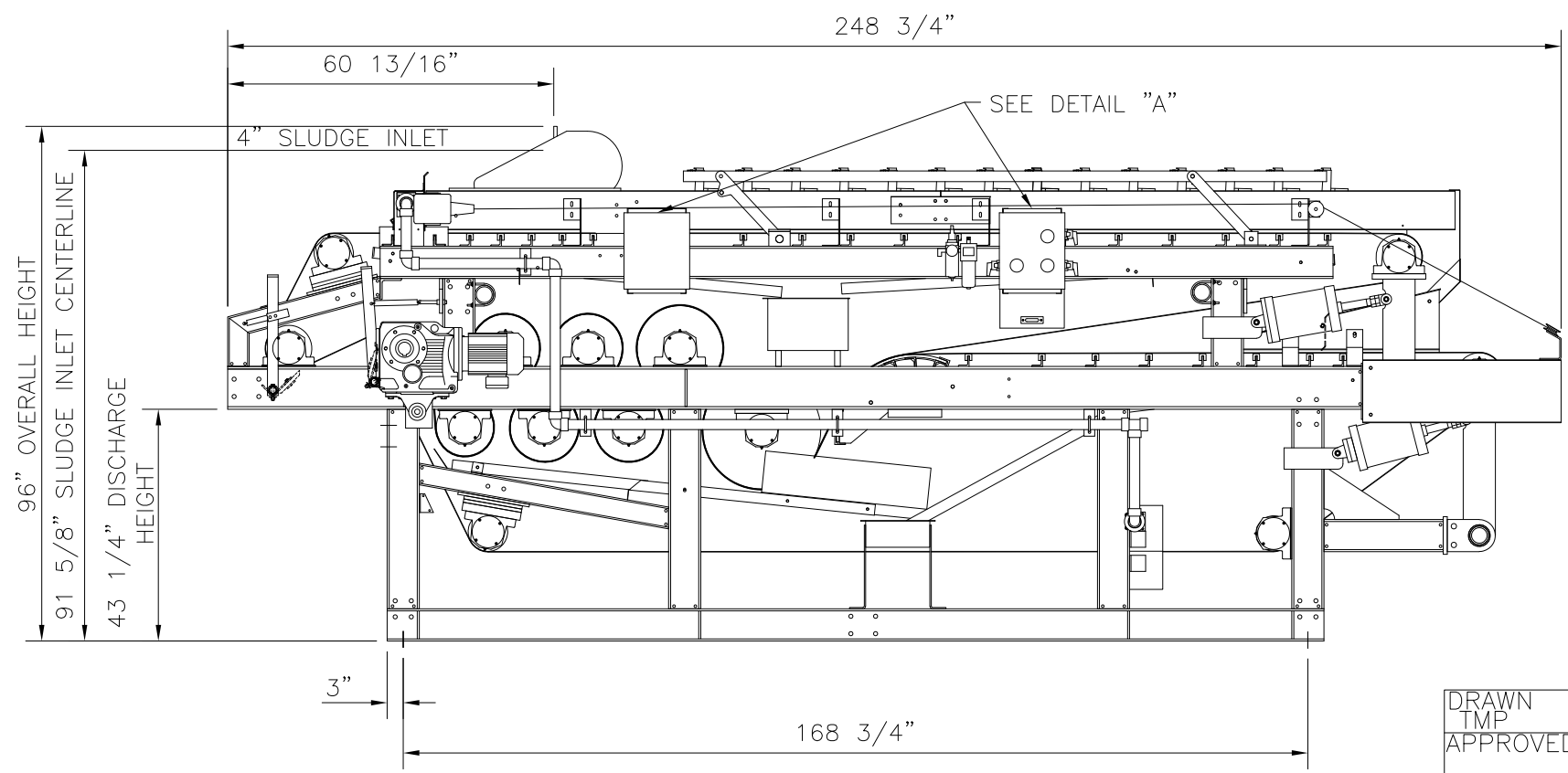


NOTES:
 STATIC (DRY) WEIGHT = 16,100 LBS.
 DYNAMIC (WET) WEIGHT = 17,910 LBS.



DRAWN TMP	10/11/12	CHARTER MACHINE COMPANY	
APPROVED		55 WESTER AVE METUCHEN N.J. 08840	
G.E.C. TOLERANCES UNLESS OTHERWISE SPECIFIED		TITLE BELT PRESS 17.63 WITH PERFORATED GRID MACHINE VIEWS	
FRACTIONAL DIM ±1/64		SIZE B	REV 2
DECIMAL DIM ±.005		DWG NO. BP17.63-B-912	
ANGLE ± 1/2		SCALE 3/8" = 1'-0"	
SURFACE FINISH 125		SHEET 1 OF 1	